

Distribution Tube Assembly...
Robert E. Callies et al
Lindsay 51

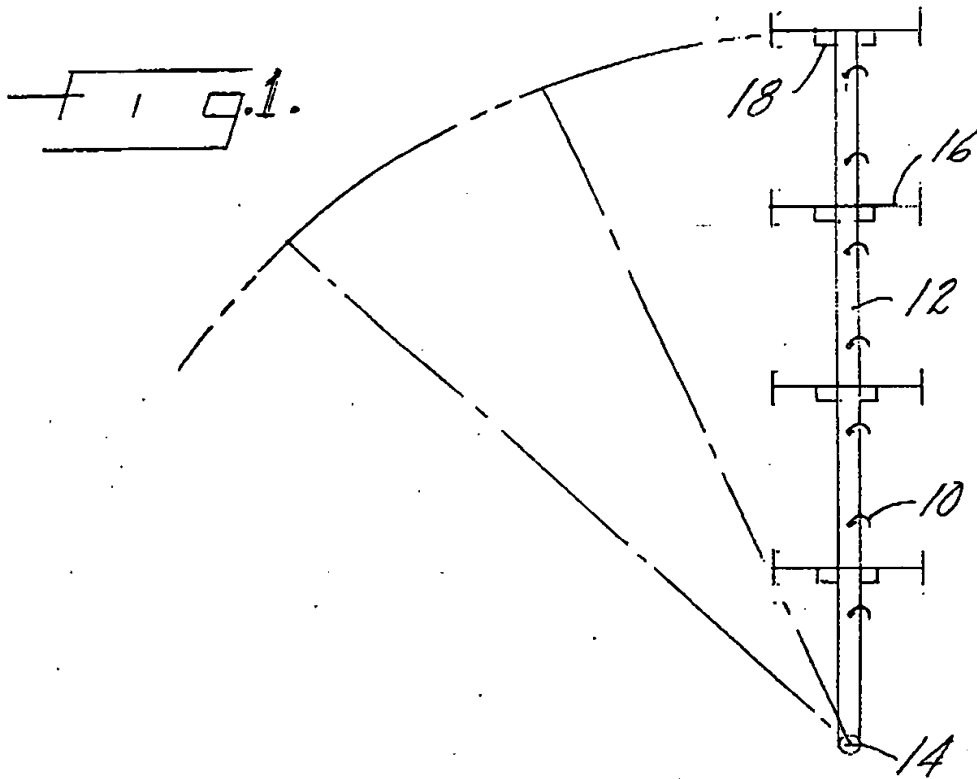


Fig. 10.

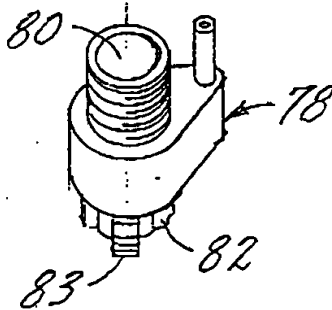


Fig. 11.

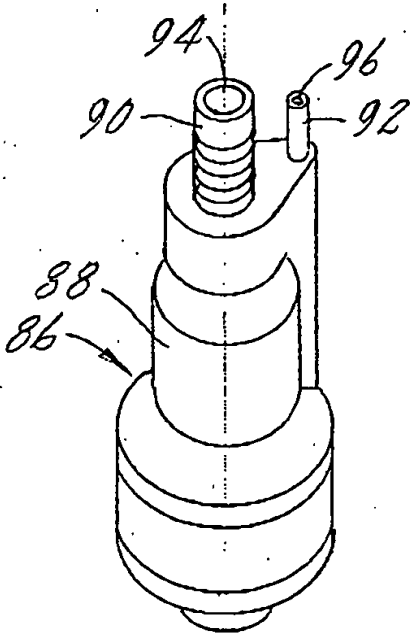
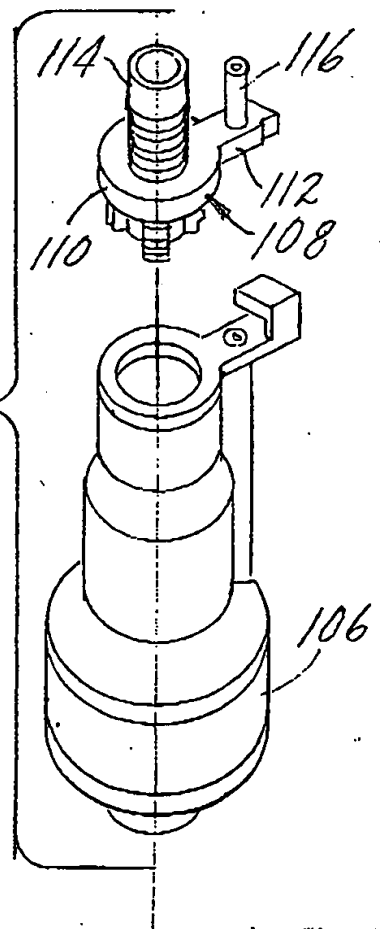


Fig. 9.

09872604-050101

Distribution Tube Assembly...
 Robert E. Callahan et al.
 Lindsay 51

09876501 40924860

Fig. 2.

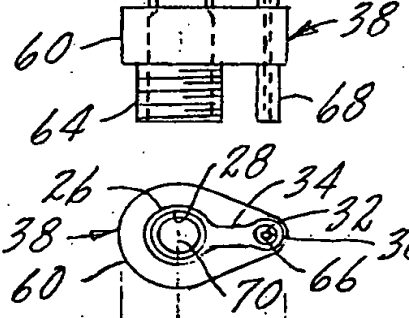
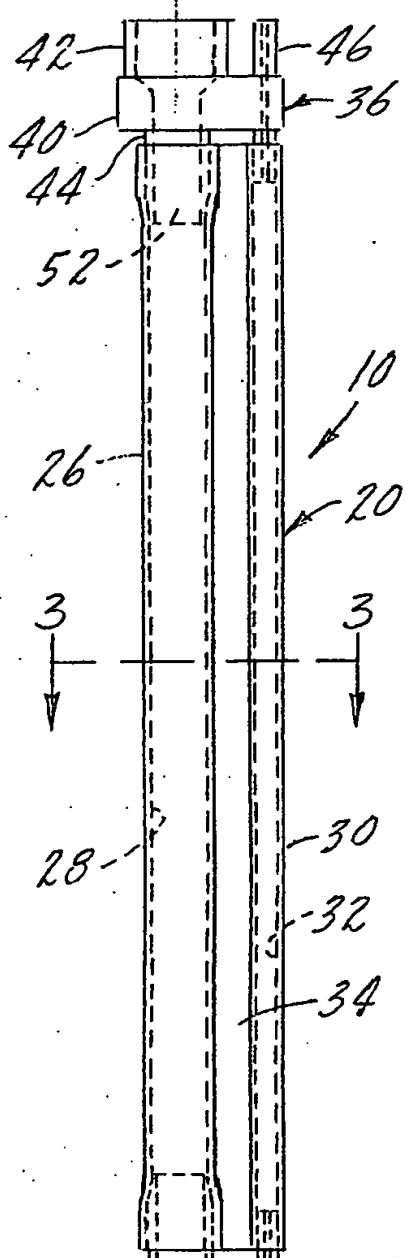


Fig. 3.

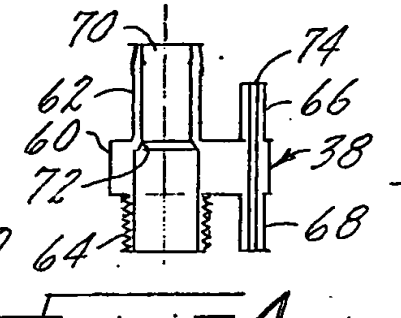
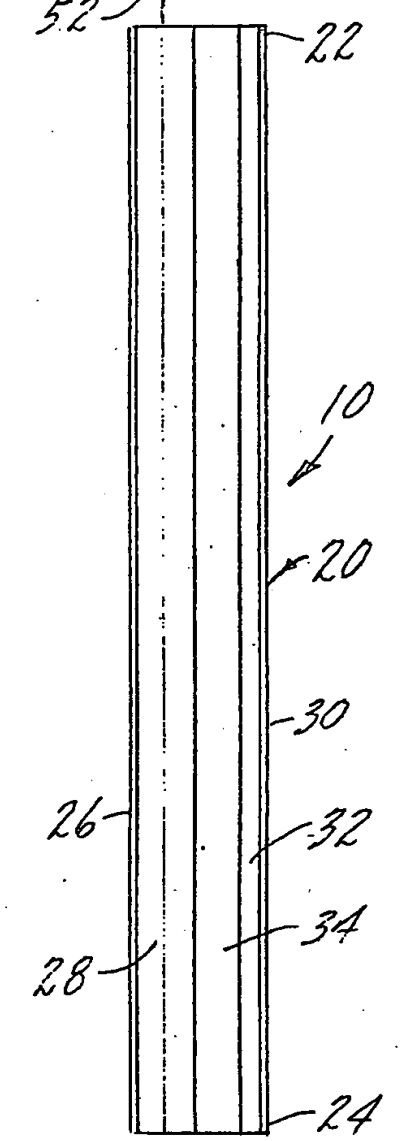
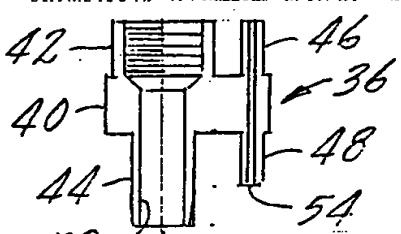


Fig. 4.

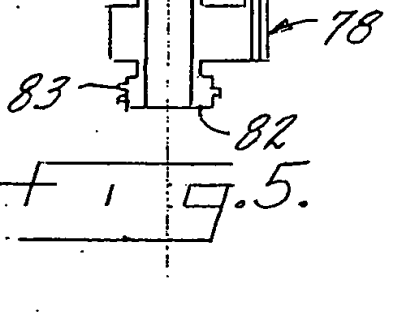
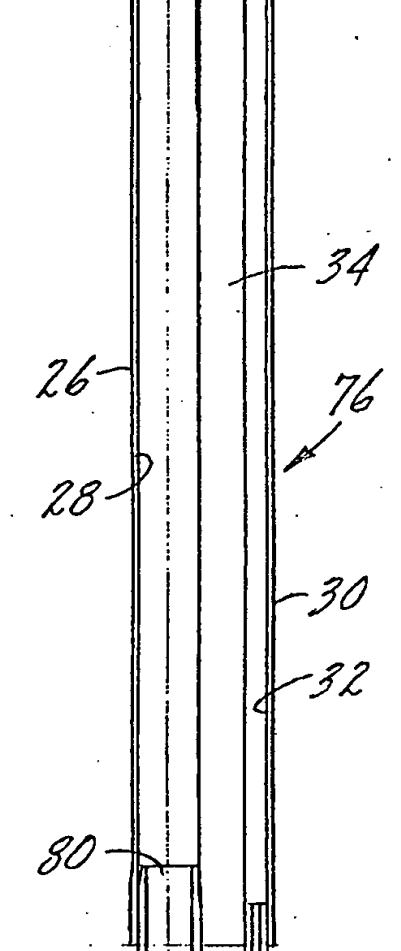
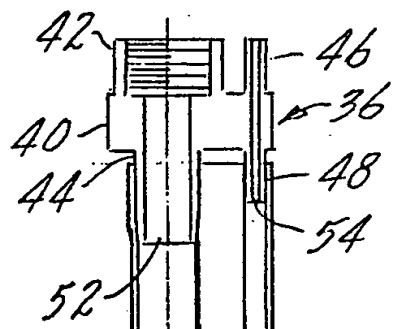
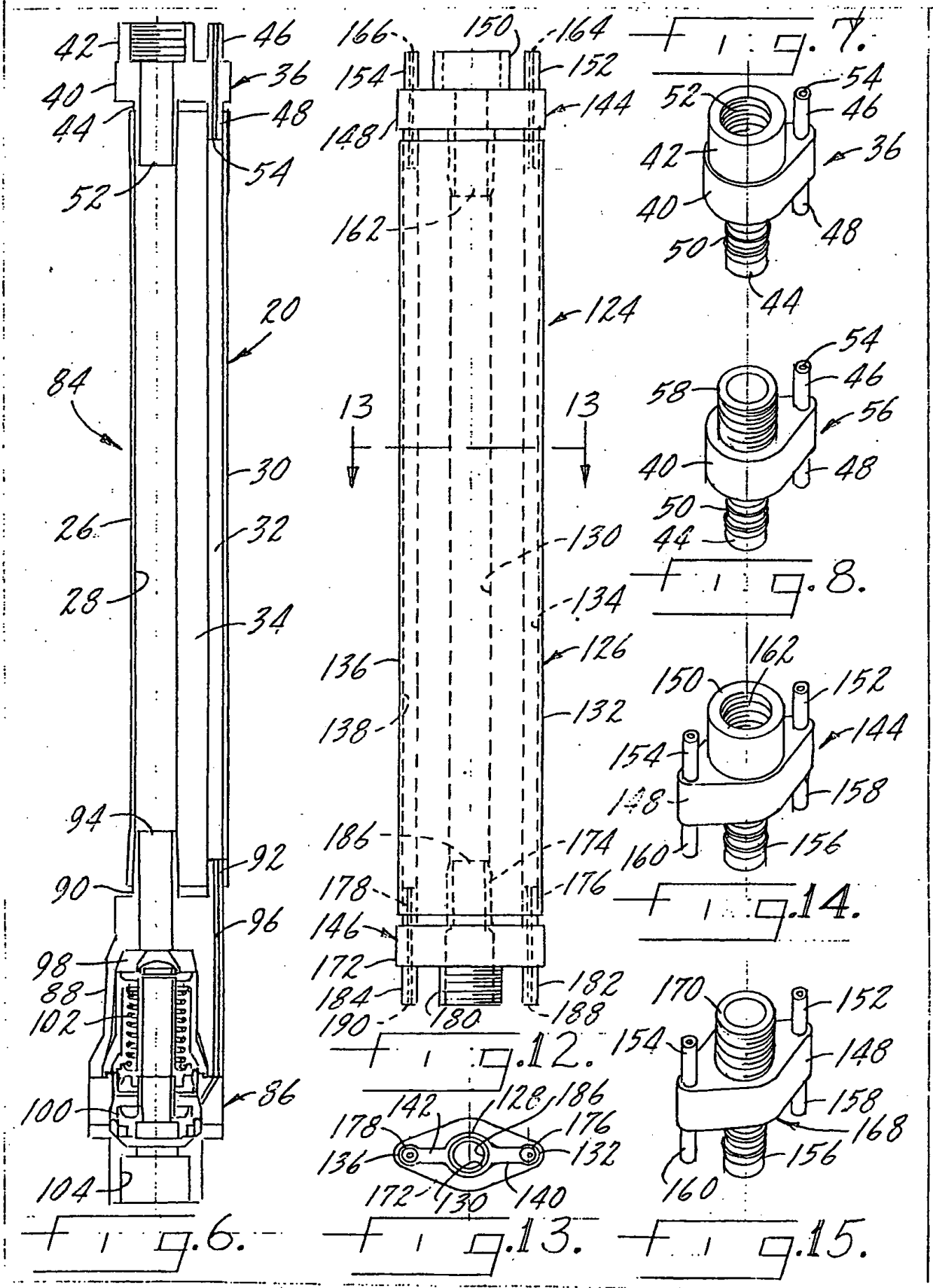


Fig. 5.

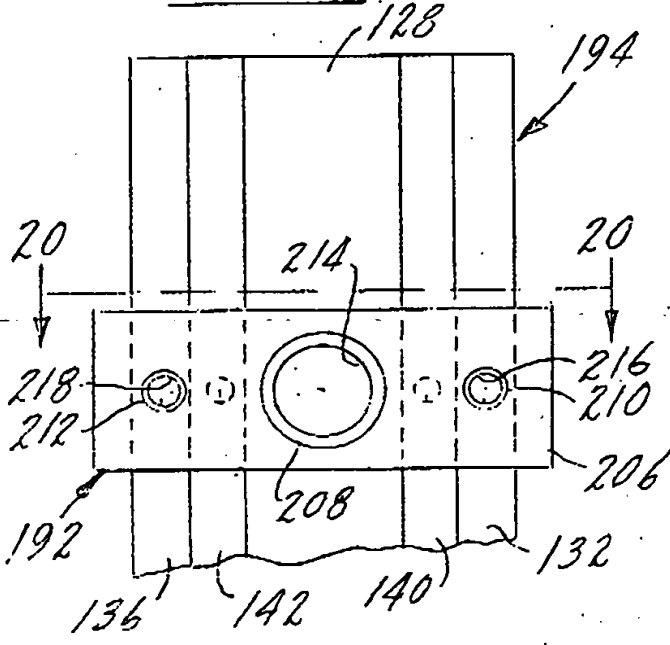
Distribution Tube Assembly
Robert E. Callie
Lindsay 51

0982604 050101

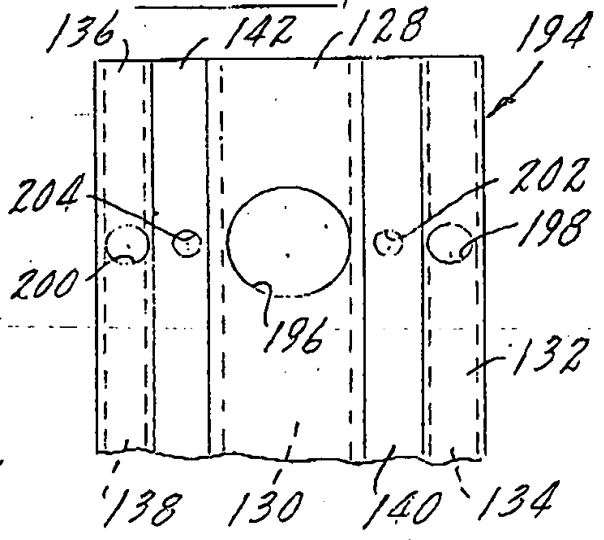


Distribution Tube Assembly ...
Robert E. Callies
Lindsay 51

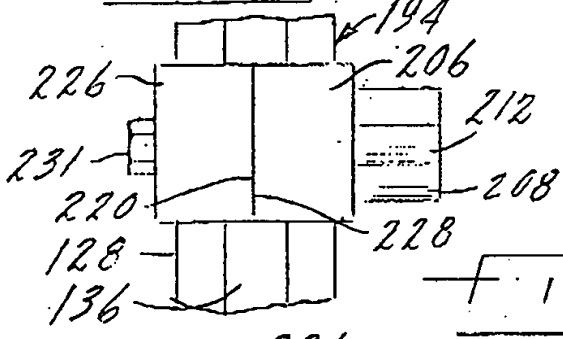
F 1 G.16.



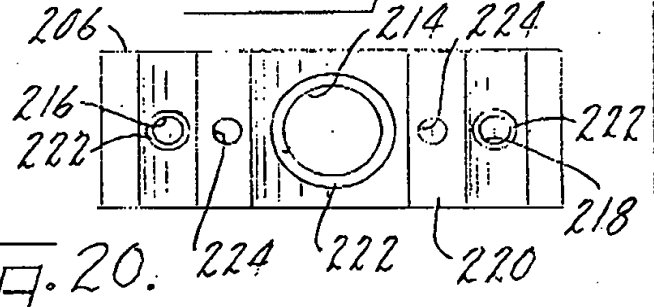
F 1 G.17.



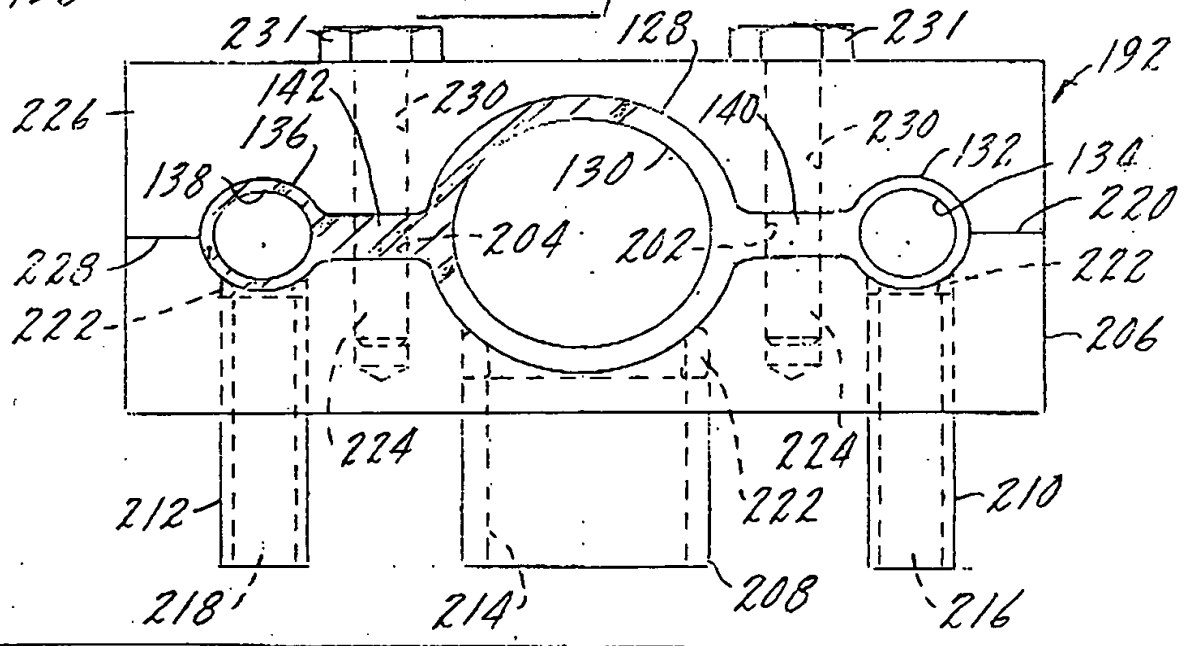
F 1 G.18.



F 1 G.19.



F 1 G.20.



09872604 060101